

**Mogul-Base LED Replacement Lamp**  
3000K, 4000K / 30W, 40W, 50W / 125 Lm/W

Project:	
Catalog#:	
Approved by:	



**No Ballast needed (UL Type B)  
Internal driver/line voltage lamp  
Remove ballast from fixture**

**Features**

- 125 Lm/W
- 360° Beam Angle
- Power Factor: >0.9
- CCT: 3000K or 4000K; CRI: >80
- Long Life: 10 years
- Operating temperature range: -30 to +60°C
- IP65 Design - Driver is fully sealed with heat sink silicone
- Waterproof, dust proof, and bug proof
- Flame retardant material
- UL/cUL Listed, UL Classified
- 120-277 VAC, 50/60Hz
- Built-in 4kV surge protection
- Non-dimming
- Warranty: 5 Years

**Applications**



Wallpack



Acorn



Posttop



Ball



Posttop



Garage Light



Pendant



Floodlight



Visit [www.designlights.org](http://www.designlights.org)  
for the Qualified Products List



**Ordering Information**

Catalog #	Lumens	CCT	Watts	Lm/W	Cover	Base*	Replacement
<b>LEDMR-3030-MV</b>	3750	3000K	30W	125	Slight Frost	E39 Mogul	70W HID
<b>*LEDMR-4030-MV</b>	3750	4000K	30W	125	Slight Frost	E39 Mogul	70W HID
<b>LEDMR-4040-MV</b>	5000	4000K	40W	125	Slight Frost	E39 Mogul	100W HID
<b>LEDMR-3050-MV</b>	6250	3000K	50W	125	Slight Frost	E39 Mogul	175W HID
<b>LEDMR-4050-MV</b>	6250	4000K	50W	125	Slight Frost	E39 Mogul	175W HID

\*Will not fit Ex39 (Pink) socket

\*Non-stock item. Call for lead times

Specifications subject to change without notice.

Howard Lighting Products | 580 Eastview Drive | Laurel, MS 39443  
(toll free) 800.956.3456 | (direct) 601.422.0033 | (fax) 601.422.1652  
[www.HowardLightingProducts.com](http://www.HowardLightingProducts.com)

Page 1 of 2  
Rev: 10/4/2018

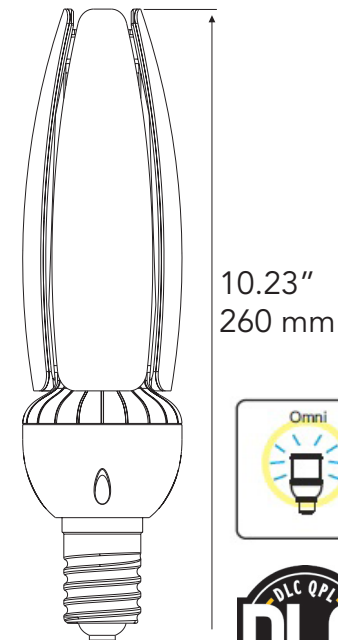
**Mogul-Base LED Replacement Lamp**  
3000K, 4000K / 30W, 40W, 50W / 125 Lm/W

Project:	
Catalog#:	
Approved by:	



**Dimensions**

Φ 3.37"  
Φ 83 mm



**LEDMR vs. Common Lamp Sizes**

Lamp	Base	L (in.)	D (in.)
LEDMR-XXXX-MV	E39 (default)	10.23	3.27
	w/ medium base adapter	11.50	
LU100	E39	7.75	2.94
LU150/55		7.75	2.94
MH150/U		8.31	3.5
MH175/U		8.31	
H39KB-175		8.25	
H37KC-175/DX		8.25	



Visit [www.designlights.org](http://www.designlights.org) for the Qualified Products List



**Accessories** (sold separately)

 <p>Mogul Socket <b>LH-MOE-01</b></p>	 <p>Surge Protector 20kV, 10kA <b>HL-LSP10GI277P</b></p>	 <p>Twist lock long life photocontrol Multi-volt, fail-on, 8A at 120V and 5A at 277V <b>HI-LL-127-15-BK-12</b></p>
--	---	--