

**MR-16 Semi-Recessed Thermoplastic
Emergency Unit**

Project:	
Catalog#:	
Approved by:	



Mounting

- Universal knockout pattern on back plate for surface mount. Snaps into place making internal electrical connections.
- Knockout for conduit applications.



Housing

- Injection-molded, engineering grade, 5VA flame retardant, high-impact resistant, thermoplastic in white.

Illumination

- Two fully adjustable, semi-recessed ultra bright, 7.0 watt, MR-16 halogen lamp heads standard.
- High performance MR16 halogen lamps with smooth metallized reflector and glass lens for optimal light distribution.

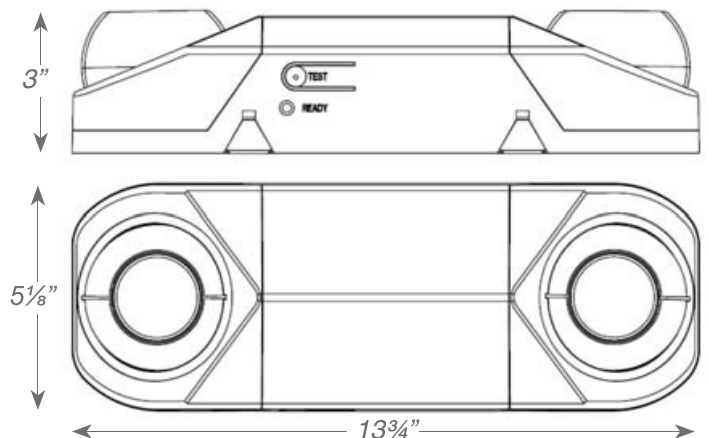
Warranty & Listings

- Five year warranty on all electronics and housing. Battery prorated for two years.
- Meets UL924, NFPA 101 Life Safety Code, NEC, OSHA, Local and State Codes.
- UL Listed for damp locations (20°C – 40°C).

Electrical

- Dual 120/277 voltage.
- Charge rate/power "ON" LED indicator light and push-to-test switch for mandated code compliance testing.
- LVD (low voltage disconnect) prevents battery from deep discharge.
- 6V maintenance-free, rechargeable sealed lead acid battery.
- Internal solid-state transfer switch automatically connects the internal battery to lamp heads for minimum 90-minute emergency illumination.
- Fully automatic solid-state, two rate charger initiates battery charging to recharge a discharged battery in 24 hours.

Dimensions



Ordering Information

Model Number	Color	Emergency Operations	Number of Lamp Heads/Lamp Wattage	Battery Voltage
HLRMR-16	W: White	90+ minutes	2x 6V/7W	6V