

Canopy 8" x 8"

HPS 35-70 watts

MH / 50 - 70 watts

CF / 42 watts



Application

Excellent for lighting residential exteriors, entry ways, stairways, walkways, perimeters, parking garages, storage areas, and warehouses

Features

- Die-cast housing with threaded conduit access (lamp included)
- Polycarbonate lens
- Textured bronze finish
- UL listed for wet locations

ORDERING INFORMATION

Catalog #	Watts	Volts	HI Ballast Model #	Ballast	ANSI	Lamp Part #
8x8C-26-CF-MV	26 CF	MV	EP2/26CF/MV/K	CF	-	CF26TE/830
8x8C-42-CF-MV	42 CF	MV	N/A	CF	-	CF42TE/287
8x8C-35-HPS-120	35 HPS	120	S0035-02C-111-E	R-NPF	S76	LU35/MED
8x8C-50-HPS-120	50 HPS	120	S0050-02C-111-E	R-NPF	S68	LU50/MED
8x8C-70-HPS-120	70 HPS	120	S0070-02C-111-E	R-NPF	S62	LU70/MED
8x8C-50-MH-2T	50 MH	2T	M0050-23C-511-DE	HX-HPF	M110	MH50/U/MED
8x8C-70-MH-4T	70 MH	4T	M0070-71C-511-DE	HX-HPF	M98	MH70/U/MED

ACCESSORIES

Catalog #	Description
8X8C-ACR	Replacement polycarbonate lens
BPC120	Button photocell - 120v
BPC208/277	Button photocell - 208 or 277v

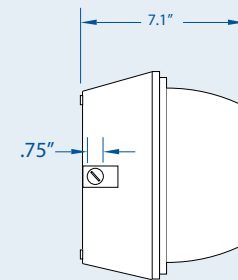
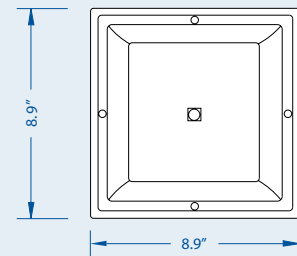
FACTORY INSTALLED OPTIONS

Catalog #	Description	Accessory Code *
BPC120	Button photocontrol - 120v	A
BPC208/277	Button photocontrol - 208 or 277v	B

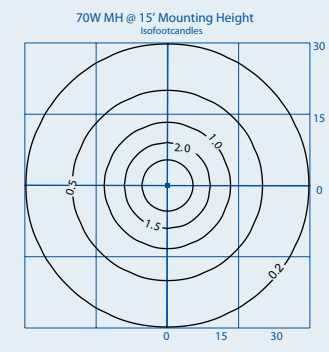
* When ordering, include the Accessory Code with the catalog number (e.g., 8x8C-35-HPS-120-A)

• Specifications are subject to change without notice.

DIMENSIONS



PHOTOMETRICS



CANOPY

Lighting for life.

HOWARD
LIGHTING PRODUCTS